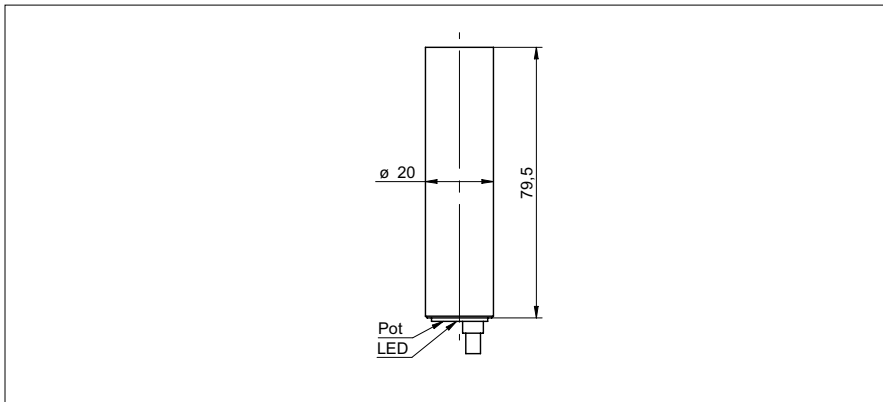


# Capacitive proximity sensors

# CFBM 20P1600

**dimension drawing**



**general data**

|  |                         |
|--|-------------------------|
| nominal sensing distance Sn            | 10 mm                   |
| nominal sensing distance Sn adjustable | 2 ... 10 mm             |
| mounting type                          | flush                   |
| GND electrode                          | yes                     |
| temperature drift                      | ± 15 % (+10 ... +70 °C) |
| sensitivity adjustment                 | potentiometer, 18 turn  |
| output indicator                       | LED yellow              |

**electrical data**

|                                    |                        |
|------------------------------------|------------------------|
| voltage supply range +Vs           | 10 ... 30 VDC          |
| current consumption max. (no load) | 20 mA                  |
| output circuit                     | PNP make function (NO) |
| output current                     | < 200 mA               |
| voltage drop Vd                    | < 2,5 VDC              |
| switching frequency                | < 50 Hz                |
| short circuit protection           | yes                    |
| reverse polarity protection        | yes                    |

**mechanical data**

|                  |                     |
|------------------|---------------------|
| type             | cylindrical smooth  |
| housing material | brass nickel plated |
| dimension        | 20 mm               |
| housing length   | 79,5 mm             |
| connection types | cable, 2 m          |

**ambient conditions**

|                       |                |
|-----------------------|----------------|
| operating temperature | -25 ... +75 °C |
| protection class      | IP 65          |

**field of application**

|  |     |
|--|-----|
| detection of non-conductive media      | yes |
| fill level detection through container | yes |
| liquids in direct contact              | no  |
| object detection / bulk goods          | yes |

**photo**



**connection diagram**

